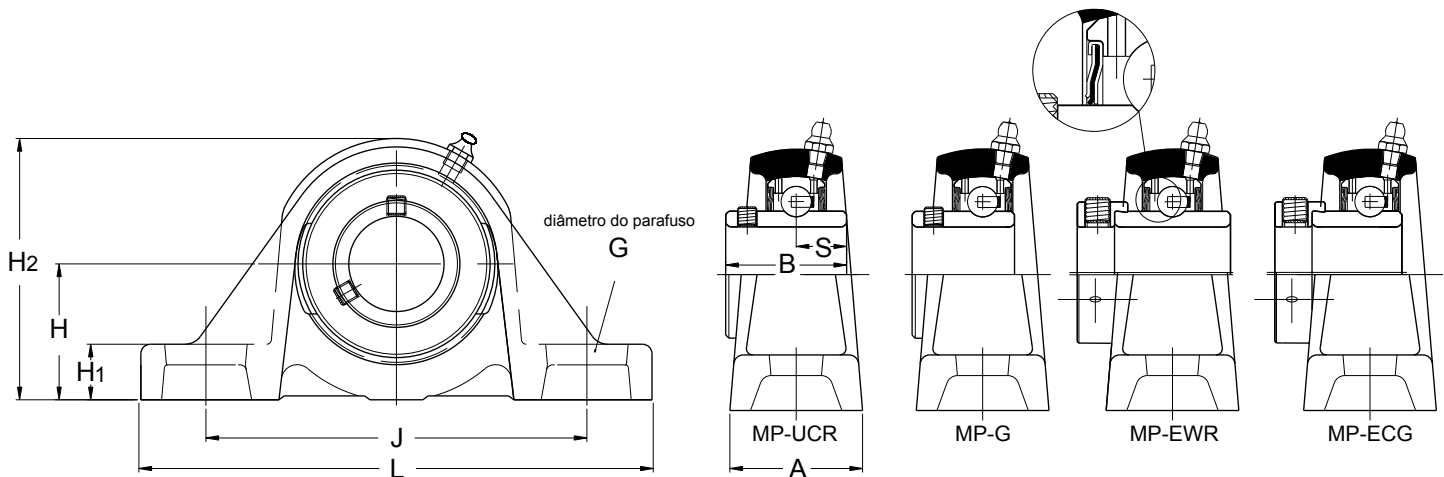




Unidades de Rolamentos com Mancais Tipo Pedestal MP



Diâmetro do eixo		Conjunto	Série do rolamento opcional p/ montagem (+)				Dimensões em milímetros e polegadas								Mancal	Rolamento Base	Peso kg Médio	
mm	polegada		UCR	EWR	G	ECG	L	J	H	H ₁	H ₂	A	B	S				G
25	-	MP-25	+				159	119	44,50	16	87,50	51	38,10	15,88	12	MP-1	206 / 1230	1,52
-	7/8	MP-7/8	+				6.260	4.685	1.752	0.630	3.445	2.008	1.500	0.625	1/2			
-	1	MP-1	+															
30	-	MP-30	+				166	129,50	47,60	17,50	92,60	46,60	42,88	17,48	12	MP-2	207 / 1235	1,65
-	1.3/16	MP-1.3/16	+				6.535	5.098	1.874	0.689	3.645	1.834	1.688	0.688	1/2			
-	1.1/4	MP-1.1/4	+	+	+	+												
35	-	MP-35	+				203	145	54	19	106,40	57	49,23	19,05	12	MP-3	208 / 1240	2,53
-	1.3/8	MP-1.3/8	+				7.992	5.709	2.126	0.748	4.189	2.244	1.938	0.750	1/2			
-	1.7/16	MP-1.7/16	+															
40	-	MP-40	+				222	155	58,70	20,50	116	66	49,23	19,05	16	MP-4	209 / 1245	3,32
-	1.1/2	MP-1.1/2	+				8.740	6.102	2.311	0.807	4.567	2.599	1.938	0.750	5/8			
45	-	MP-45	+				222	156	58,70	20,50	117,50	66	51,59	19,05	16	MP-5	210 / 1250	3,28
-	1.11/16	MP-1.11/16	+				8.740	6.142	2.311	0.807	4.626	2.599	2.031	0.750	5/8			
-	1.3/4	MP-1.3/4	+															
50	-	MP-50	+	+			241	171,50	63,50	22	129,40	73	55,55	22,22	16	MP-6	211	4,33
-	1.7/8	MP-1.7/8	+				9.488	6.752	2.500	0.866	5.094	2.874	2.187	0.875	5/8			
-	1.15/16	MP-1.15/16	+															
55	-	MP-55	+				260	183,50	69,80	27	142,90	79	65,07	25,40	20	MP-7	212	5,72
-	2.3/16	MP-2.3/16	+				10.236	7.224	2.748	1.063	5.626	3.110	2.562	1.000	3/4			
60	-	MP-60	+				286	203	76,20	27	158,70	83	74,63	30,23	20	MP-8	214	8,02
65	-	MP-65	+	+			11.260	7.992	3.000	1.063	6.248	3.268	2.938	1.190	3/4			
-	2.7/16	MP-2.7/16	+															
-	2.1/2	MP-2.1/2	+	+														
65	-	MP-65 R	+	+			330	229	88,90	28,50	177,80	89	77,77	33,35	22	MP-9	215	11,34
70	-	MP-70	+				12.992	9.016	3.500	1.122	7.000	3.504	3.062	1.313	7/8			
-	2.11/16	MP-2.11/16	+															
75	-	MP-75	+				330	229	88,90	32	184,10	89	82,55	33,35	22	MP-10	216	11,24
-	2.15/16	MP-2.15/16	+				12.992	9.016	3.500	1.260	7.248	3.504	3.250	1.313	7/8			
-	3	MP-3	+															
80	-	MP-80	+				381	282	101,60	32	203,30	102	85,72	34,19	22	MP-11	217	14,92
-	3.3/16	MP-3.3/16	+				15.000	11.102	4.000	1.260	8.000	4.016	3.375	1.346	7/8			
-	3.1/4	MP-3.1/4	+															
85	-	MP-85	+				381	283	101,60	33	209,50	111	96,04	39,73	22	MP-12	218	17,26
90	-	MP-90	+				15.000	11.142	4.000	1.299	8.248	4.370	3.781	1.564	7/8			
-	3.7/16	MP-3.7/16	+															
-	3.1/2	MP-3.1/2	+															
95	-	MP-95	3095 G				432	336,50	127	33	254	120	117,48	49,25	24	MP-13	3095	27,57
100	-	MP-100	3095 G				17.008	13.248	5.000	1.299	10.000	4.725	4.625	1.939	1			
-	3.15/16	MP-3.15/16	3095 G															
-	4	MP-4	3095 G															